

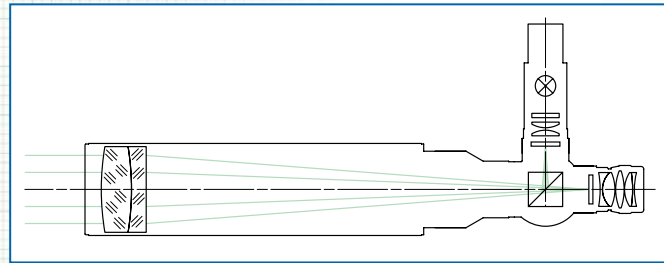
AUTOCOLLIMATORS

STRAIGHT VIEWING

Description:

For a general description of the principle of functioning see page 42.

An autocollimator with straight viewing has the user's line of sight co-linear with the objective axis. These autocollimators are preferably used in horizontal direction, where the eyepiece is at eye level. In a down-looking arrangement or on optical table 90°- or 60°-viewing is often more suitable.



Application areas:

- Measurement of angular tilt
- Measurement of parallelism of plane plates
- Adjustment of optical elements
- Qualitative testing of the imaging properties of optical elements and systems

Notes on ordering:

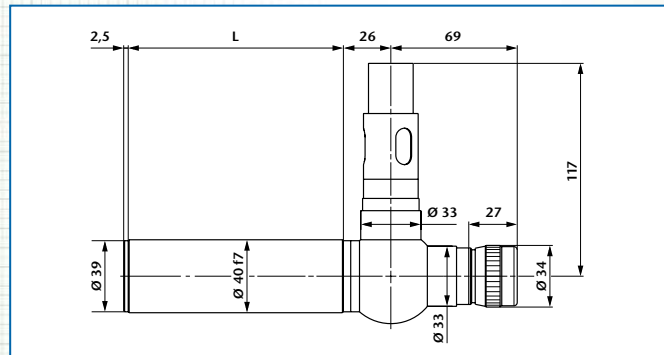
- Optionally, the autocollimators can be equipped with an eyepiece having 10 mm or 25 mm focal length.
- Two reticles, 6V/5W illumination w/cord, and eyepiece are included.
- If not specified otherwise, the autocollimator is adjusted to infinity at 546 nm wavelength. Adjustment to other distances or wavelengths is also possible on demand.
- The nomenclature of the autocollimators with straight viewing is as follows:

Example: AK G 50/ 40/ 14,7

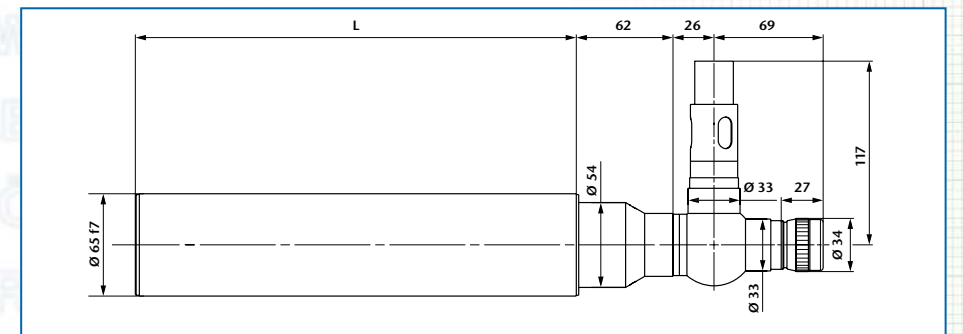
Autocollimator — AK
 Straight viewing — G
 Focal length — 50
 Tube diameter — 40
 Eyepiece focal length — 14,7

Important:

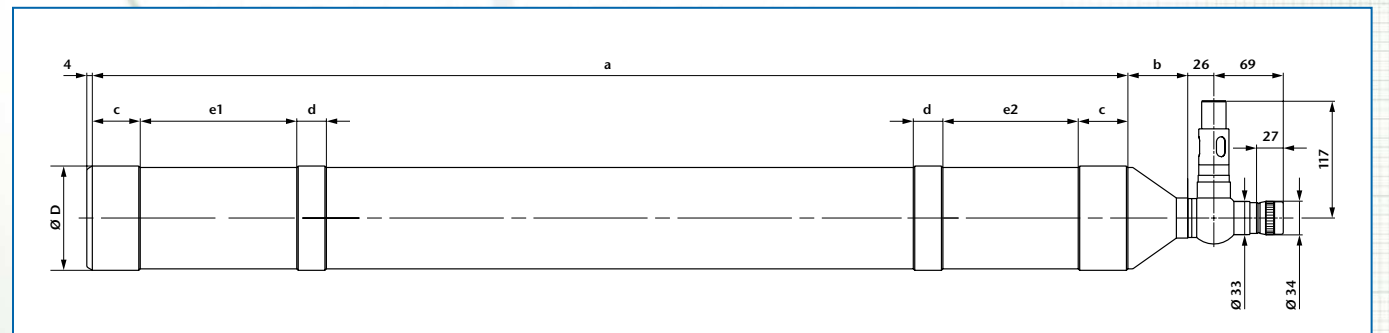
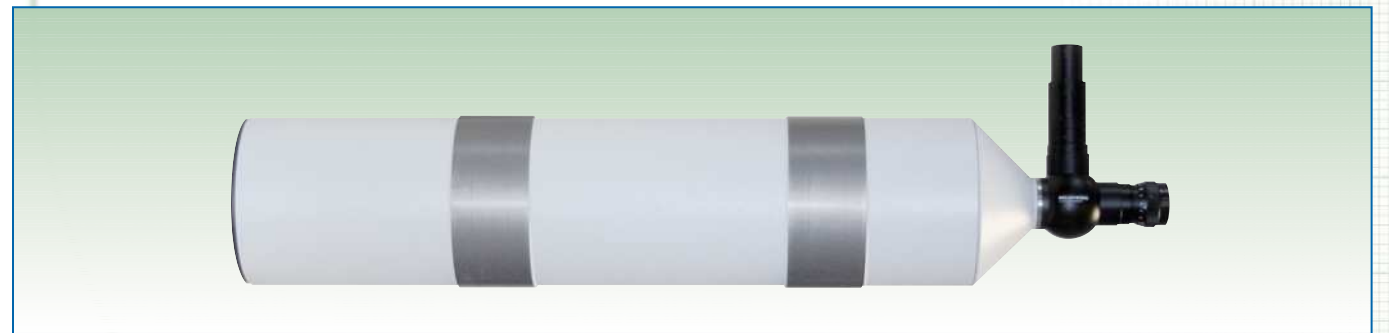
Please specify collimator reticle and eyepiece reticle (see page 82) as well as illumination (LED-, bulb- or cold light, see page 81) when ordering.



Ord.-No.	Description	Focal length	Free aperture	Meas. range	L
229 001	AKG 50/40/14,7	50	10	5,0°	65
229 002	AKG 90/40/14,7	90	16	3,0°	65
229 003	AKG 140/40/14,7	140	28	2,0°	118
229 004	AKG 200/40/14,7	200	28	1,5°	173
229 005	AKG 300/40/14,7	300	28	1,0°	274
229 006	AKG 500/40/14,7	500	28	0,5°	474



Ord.-No.	Description	Focal length	Free aperture	Meas. range	L
229 007	AKG 300/65/14,7	300	50	1,0°	233
229 008	AKG 500/65/14,7	500	50	0,5°	415
229 010	AKG 500T/65/14,7	500	50	0,5°	233



Ord.-No.	Description	Focal length	Free aperture	Meas. range	D	a	b	c	d	e1	e2
229 012	AKG 600/128/14,7	600	100	0,40°	Ø 128 f7	530	46	—	58	154	78
229 013	AKG 1100/105/14,7	1100	78	0,25°	Ø 105 f7	1045	66	50	30	165	100