

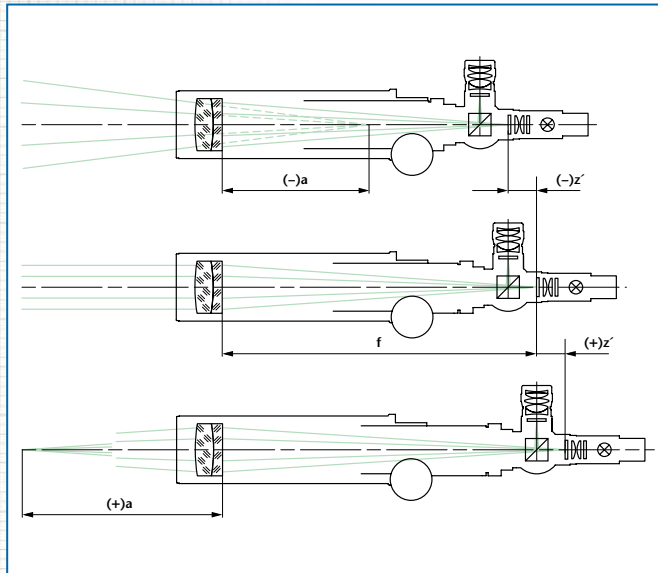
AUTOCOLLIMATORS

FOCUSABLE – 90°-VIEWING

Description:

For a general description of the principle of functioning of focusable autocollimators see page 43.

This autocollimator is equipped with right angle viewing (see page 46).



Notes on ordering:

- Optionally, the autocollimators can be equipped with an eyepiece having 10 mm or 25 mm focal length.
- Two reticles, 6V/5W illumination w/cord, and eyepiece are included.
- The nomenclature of the adjustable autocollimators with 90°-viewing is as follows:

Example: AK R V 90/ 40/ 14,7 ±6

- Autocollimator
- 90° viewing
- Variable
- Focal length
- Tube diameter
- Eyepiece focal length
- Tube extension in mm

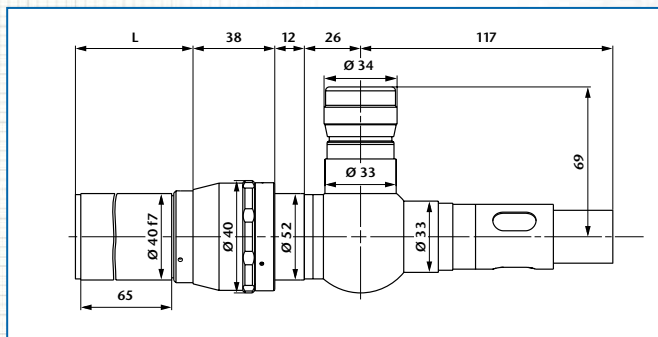
Important:

Please specify collimator reticle and eyepiece reticle (see page 82) as well as illumination (LED-, bulb- or cold light, see page 81) when ordering.

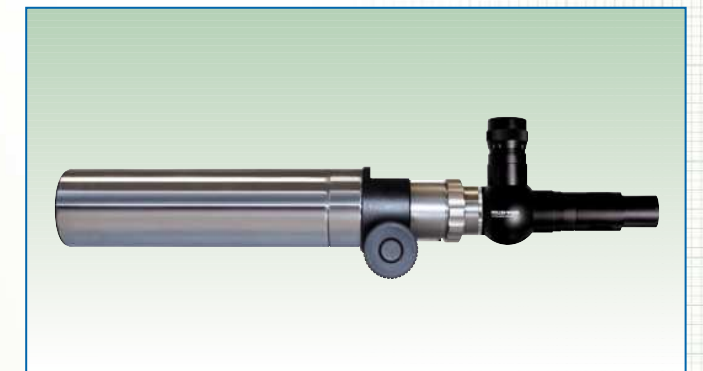
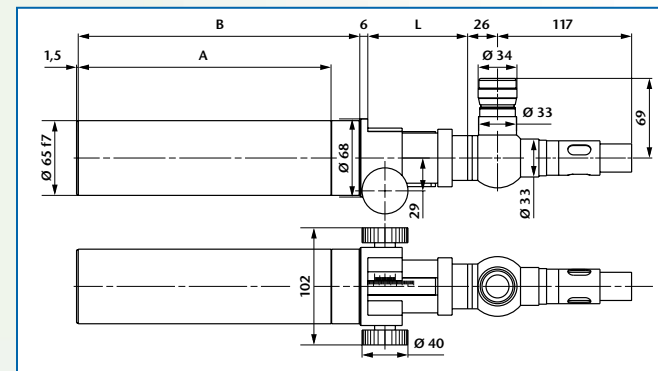
Please specify direction of use if reticles with lettering (e.g. coordinate division etc.) are used so that the lettering will be right-side-up.

Application areas:

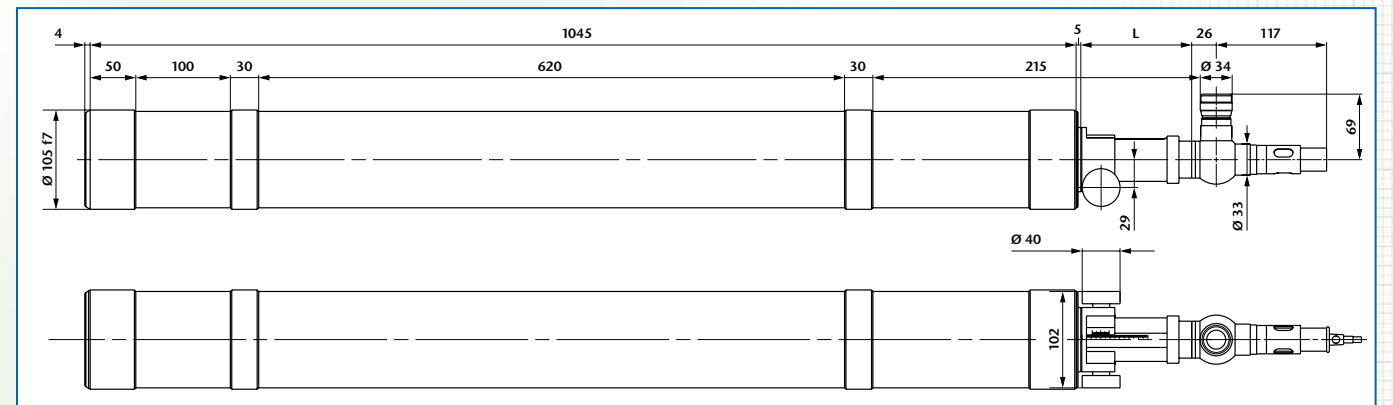
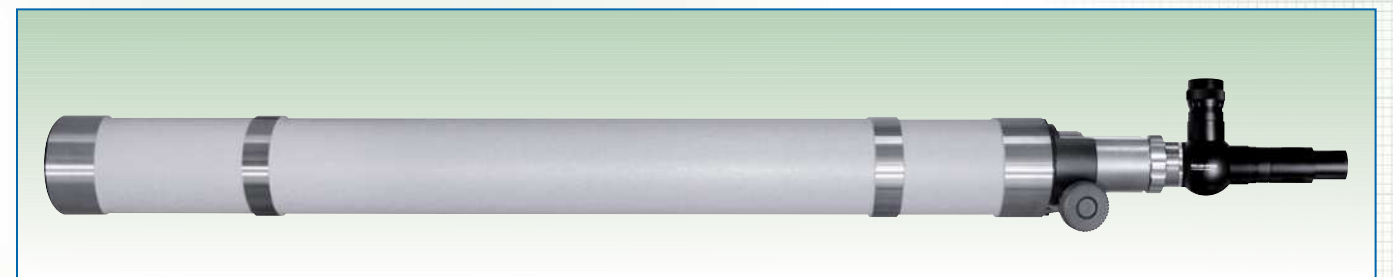
- Adjustment of optical and mechanical systems
- Qualitative testing of the imaging properties of optical elements and systems
- Measurement of large radii of curvature
- Infinity adjustment to other wavelengths



Ord.-No.	Description	Focal length	Free aperture	Tube extension	Meas. range	Distance range	L
229 701	AKRV 90/40/14,7/±6	90	16	±6	3,0°	-∞...-1,25 m 1,40 m...+∞	77±6
229 702	AKRV 90/40/14,7/+12	90	16	+12	3,0°	0,80 m...+∞	71 ⁺¹²
229 703	AKRV 90/40/14,7/-12	90	16	-12	3,0°	-∞...-0,60 m	83 ⁻¹²
229 704	AKRV 140/40/14,7/±6	140	28	±6	2,0°	-∞...-3,10 m 3,30 m...+∞	77±6
229 705	AKRV 140/40/14,7/+12	140	28	+12	2,0°	1,70 m...+∞	71 ⁺¹²
229 706	AKRV 140/40/14,7/-12	140	28	-12	2,0°	-∞...-1,40 m	83 ⁻¹²



Ord.-No.	Description	Focal length	Free aperture	Tube extension	Meas. range	Distance range	A	B	L
229 707	AKRV 300/65/14,7/±25	300	50	±25	1,0°	-∞...-3,4 m 3,8 m...+∞	220	245	87±25
229 708	AKRV 300/65/14,7/+50	300	50	+50	1,0°	2,1 m...+∞	220	270	62 ⁺⁵⁰
229 709	AKRV 300/65/14,7/-50	300	50	-50	1,0°	-∞...-1,5 m	220	220	112 ⁻⁵⁰
229 710	AKRV 500/65/14,7/±50	500	50	±50	0,5°	-∞...-4,5 m 5,4 m...+∞	310	360	112±50
229 711	AKRV 500/65/14,7/+100	500	50	+100	0,5°	3,0 m...+∞	310	410	62 ⁺¹⁰⁰
229 712	AKRV 500/65/14,7/-100	500	50	-100	0,5°	-∞...-1,5 m	310	310	162 ⁻¹⁰⁰



Ord.-No.	Description	Focal length	Free aperture	Tube extension	Meas. range	Distance range	L
229 716	AKRV 1100/105/14,7/±50	1100	78	±50	0,25°	-∞...-23,7 m 25,8 m...+∞	177±50
229 717	AKRV 1100/105/14,7/+100	1100	78	+100	0,25°	13,2 m...+∞	177 ⁺¹⁰⁰
229 718	AKRV 1100/105/14,7/-100	1100	78	-100	0,25°	-∞...-12,0 m	177 ⁻¹⁰⁰