

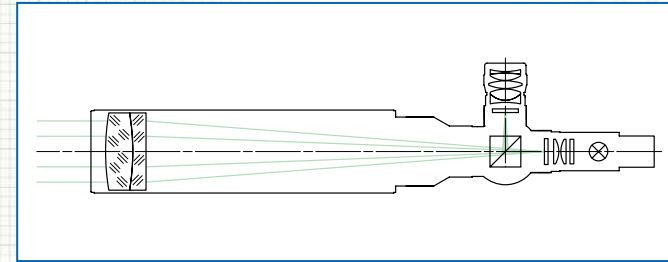
# AUTOCOLLIMATORS

## 90°-VIEWING

### Description:

For a general description of the principle of functioning see page 42.

An autocollimator with right angle viewing has the user's line of sight at 90° to the objective axis. These autocollimators are preferably used down-looking on optical tables where a straight viewing is not feasible.



### Application areas:

- Measurement of angular tilt
- Measurement of parallelism of plane plates
- Adjustment of optical elements
- Qualitative testing of the imaging properties of optical elements and systems

### Notes on ordering:

- Optionally, the autocollimators can be equipped with an eyepiece having 10 mm or 25 mm focal length.
- Two reticles, 6V/5W illumination w/cord, and eyepiece are included.
- If not specified otherwise, the autocollimator is adjusted to infinity at 546 nm wavelength. Adjustment to other distances or wavelengths is also possible on demand.
- The nomenclature of the autocollimators with 90°-viewing is as follows:

Example: AK R 50/ 40/ 14,7

Autocollimator

90° viewing

Focal length

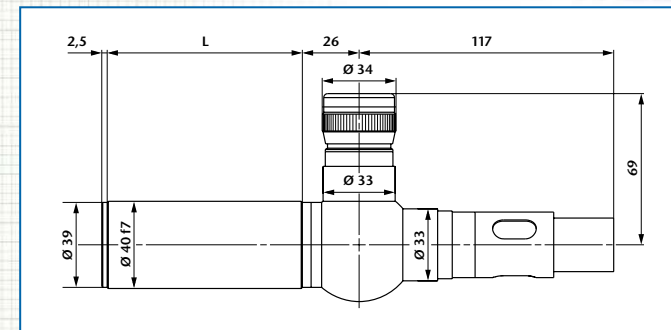
Tube diameter

Eyepiece focal length

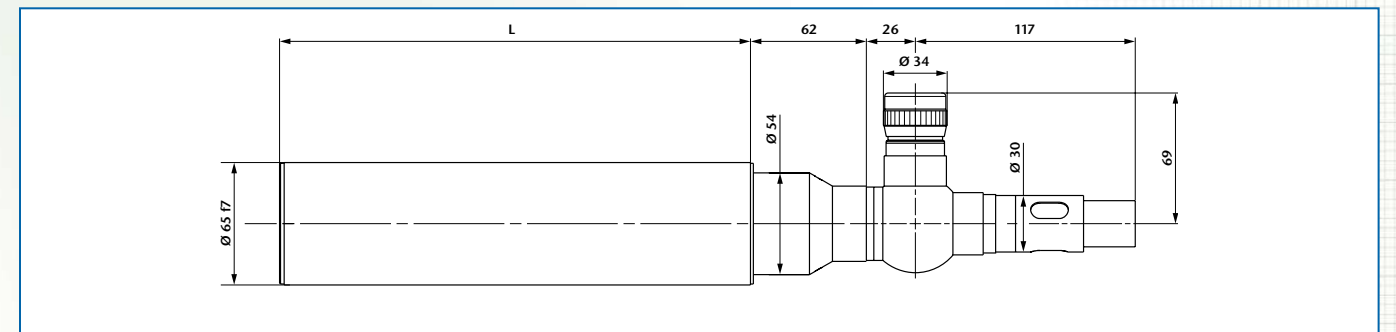
### Important:

Please specify collimator reticle and eyepiece reticle (see page 82) as well as illumination (LED-, bulb- or cold light, see page 81) when ordering.

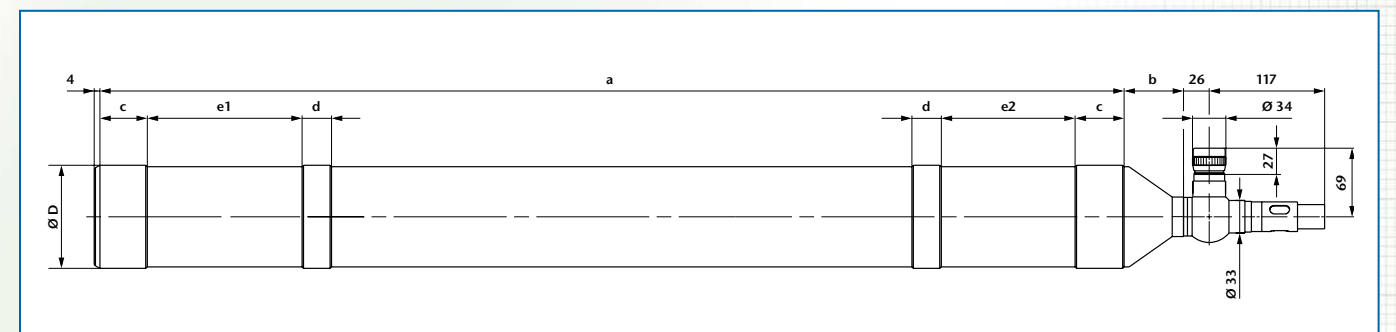
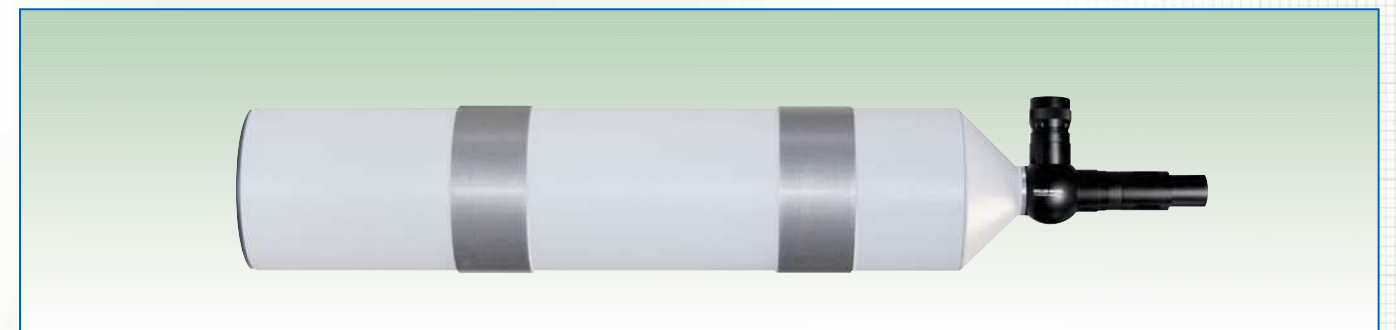
Please specify direction of use if reticles with lettering (e.g. coordinate division etc.) are used so that the lettering will be right-side-up.



Ord.-No.	Description	Focal length	Free aperture	Meas. range	L
229 201	AKR 50/40/14,7	50	10	5,0°	65
229 202	AKR 90/40/14,7	90	16	3,0°	65
229 203	AKR 140/40/14,7	140	28	2,0°	118
229 204	AKR 200/40/14,7	200	28	1,5°	173
229 205	AKR 300/40/14,7	300	28	1,0°	274
229 206	AKR 500/40/14,7	500	28	0,5°	474



Ord.-No.	Description	Focal length	Free aperture	Meas. range	L
229 207	AKR 300/65/14,7	300	50	1,0°	233
229 208	AKR 500/65/14,7	500	50	0,5°	415
229 210	AKR 500T/65/14,7	500	50	0,5°	233



Ord.-No.	Description	Focal length	Free aperture	Meas. range	D	a	b	c	d	e1	e2
229 212	AKR 600/128/14,7	600	100	0,40°	Ø 128 f7	530	46	-	58	154	78
229 213	AKR 1100/105/14,7	1100	78	0,25°	Ø 105 f7	1045	66	50	30	165	100