

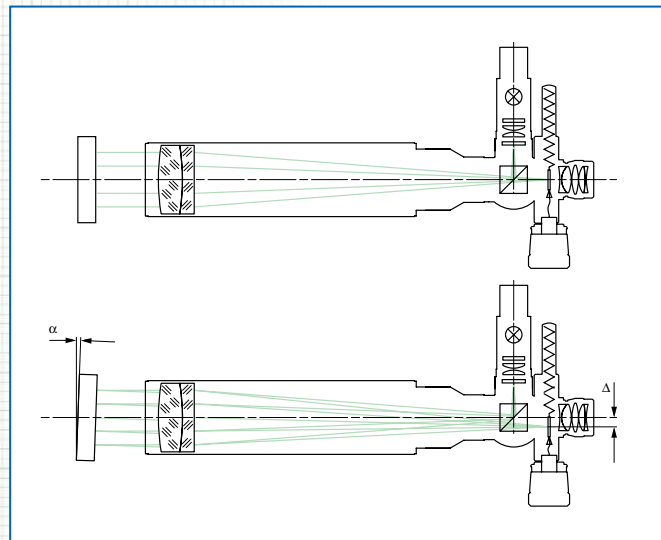
AUTOCOLLIMATORS

STRAIGHT VIEWING – WITH DOUBLE MICROMETER

Description:

For a general description of the principle of functioning see page 42.

An autocollimator with a micrometer driven eyepiece reticle can directly read reticle displacement for higher accuracy compared to a fixed reticle. By using the formula given on page 42 this displacement can be converted into angular tilt of the reflector. The scale division (SD) of the micrometer drums is 5 μm .



Notes on ordering:

- Optionally, the autocollimators can be equipped with an eyepiece having 10 mm or 25 mm focal length.
- Two reticles, 6V/5W illumination w/cord, and eyepiece are included.
- If not specified otherwise, the autocollimator is adjusted to infinity at 546 nm wavelength. Adjustment to other distances or wavelengths is also possible on demand.
- The nomenclature of the autocollimators with straight viewing and double micrometer is as follows:

Example: AK G 50/ 40/ 14,7 MD

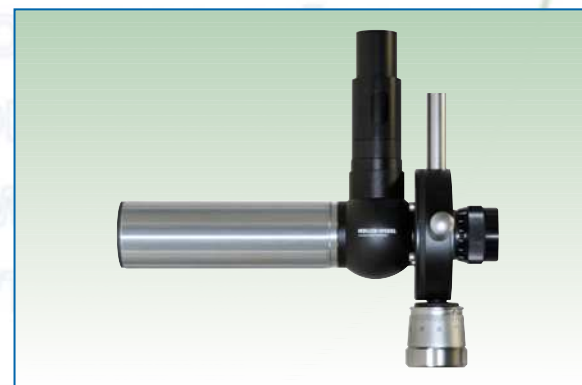
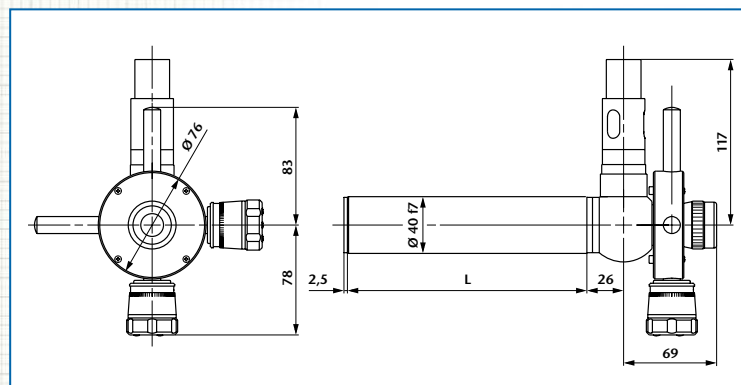
- Autocollimator
- Straight viewing
- Focal length
- Tube diameter
- Eyepiece focal length
- Double micrometer

Important:

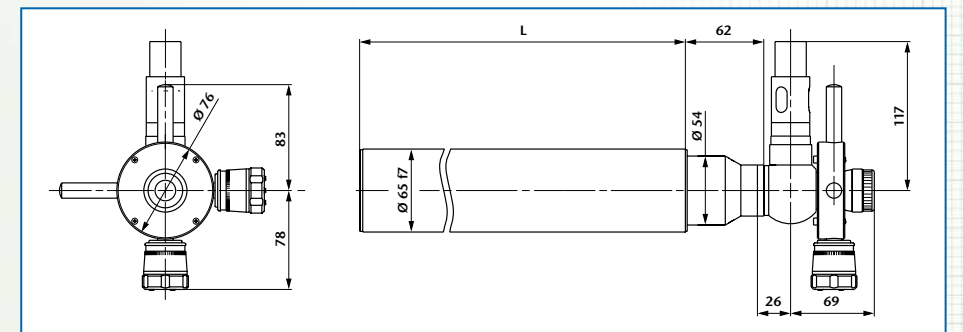
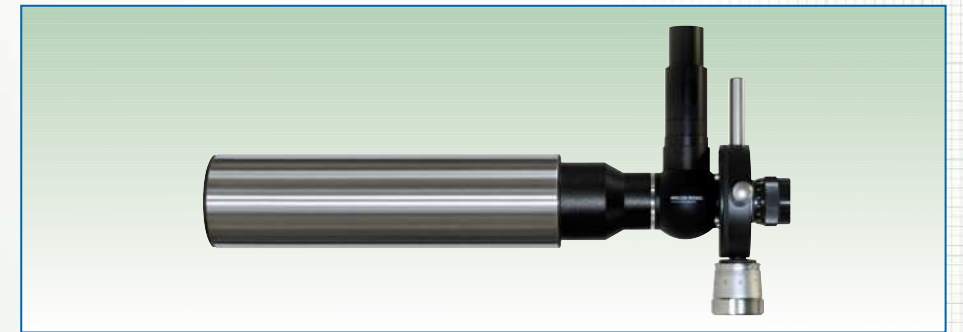
Please specify collimator reticle and eyepiece reticle (see page 82) as well as illumination (LED-, bulb- or cold light, see page 81) when ordering.

Application areas:

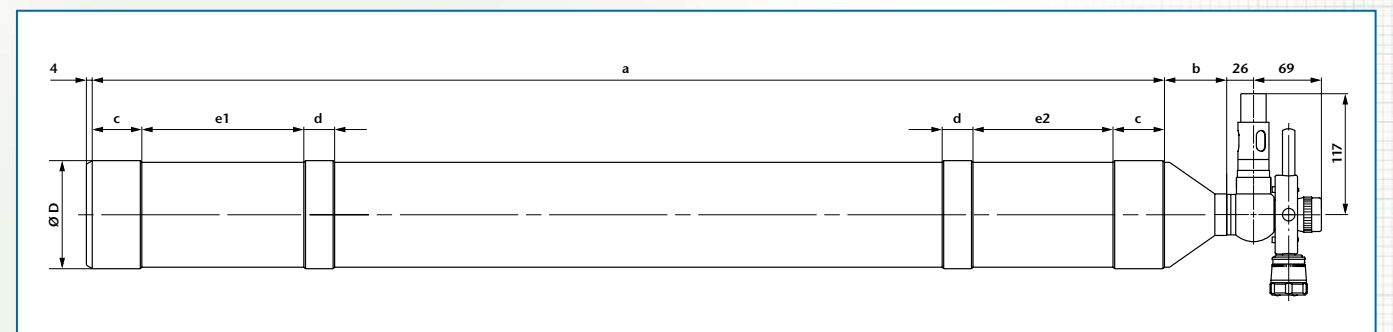
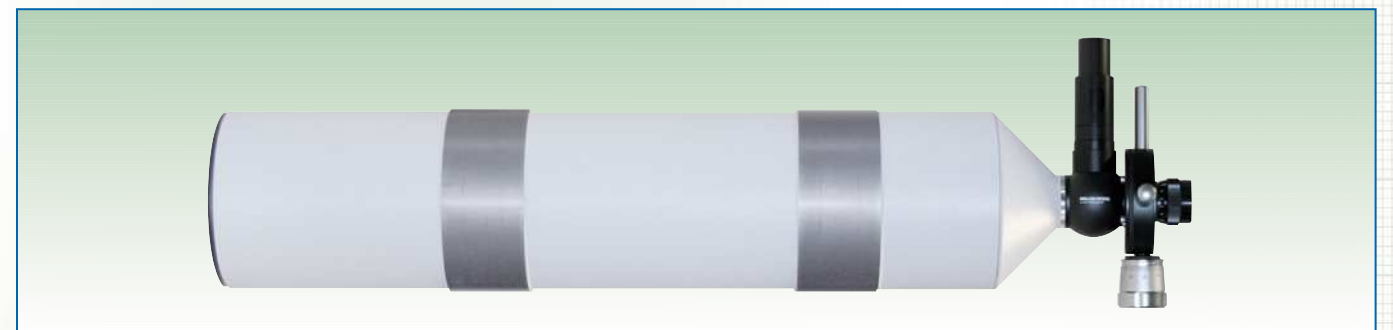
- Measurement of angular tilt
- Measurement of parallelism of plane plates
- Straightness measurement of guide ways (manually)



Ord.-No.	Description	Focal length	Free aperture	Meas. range	SD	L
229 155	AKG 50/40/14,7 MD	50	10	1,6°	20,0"	65
229 156	AKG 90/40/14,7 MD	90	16	1,0°	11,5"	65
229 157	AKG 140/40/14,7 MD	140	28	0,6°	7,5"	118
229 158	AKG 200/40/14,7 MD	200	28	0,4°	5,0"	173
229 159	AKG 300/40/14,7 MD	300	28	0,3°	3,5"	274
229 160	AKG 500/40/14,7 MD	500	28	0,2°	2,0"	474



Ord.-No.	Description	Focal length	Free aperture	Meas. range	SD	L
229 161	AKG 300/65/14,7 MD	300	50	0,3°	2,0"	233
229 162	AKG 500/65/14,7 MD	500	50	0,2°	1,0"	415
229 163	AKG 500T/65/14,7 MD	500	50	0,2°	1,0"	233



Ord.-No.	Description	Focal length	Free aperture	Meas. range	SD	D	a	b	c	d	e1	e2
229 165	AKG 600/128/14,7 MD	600	100	0,15°	0,85"	Ø 128 f7	530	46	-	58	154	100
229 164	AKG 1100/105/14,7 MD	1100	78	0,08°	0,50"	Ø 105 f7	1045	66	50	30	165	78