

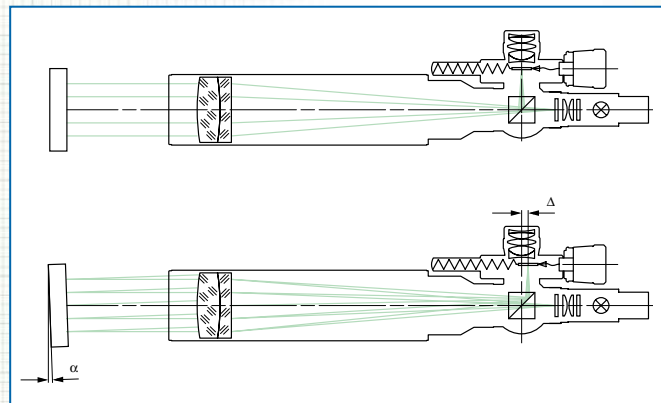
# AUTOCOLLIMATORS

## 90°-VIEWING – WITH DOUBLE MICROMETER

### Description:

For a general description of the principle of functioning see page 42.

An autocollimator with a micrometer driven eyepiece reticle can directly read reticle displacement for higher accuracy compared to a fixed reticle. By using the formula given on page 42 this displacement can be converted into angular tilt of the reflector. The scale division (SD) of the micrometer drums is 5  $\mu\text{m}$ .



### Application areas:

- Measurement of angular tilt
- Measurement of parallelism of plane plates
- Straightness measurement of guide ways (manually)

### Notes on ordering:

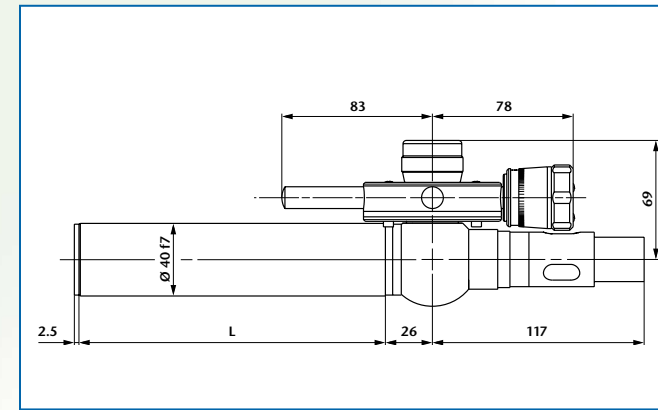
- Optionally, the autocollimators can be equipped with an eyepiece having 10 mm or 25 mm focal length.
- Two reticles, 6V/5W illumination w/cord, and eyepiece are included.
- If not specified otherwise, the autocollimator is adjusted to infinity at 546 nm wavelength. Adjustment to other distances or wavelengths is also possible on demand.
- The nomenclature of the autocollimators with 90°-viewing and double micrometer is as follows:

Example: AK R 50/ 40/ 14,7 MD

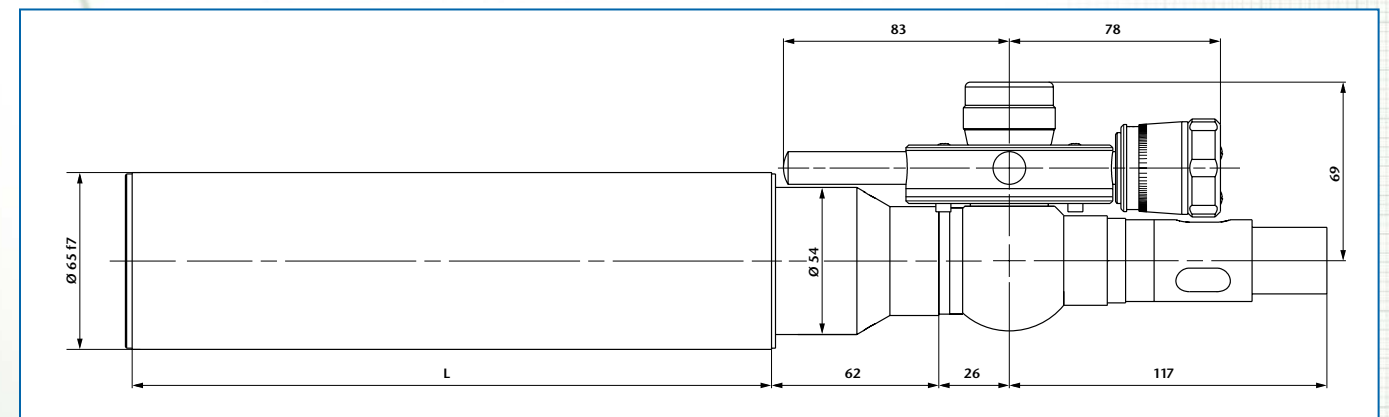
- Autocollimator
- 90° viewing
- Focal length
- Tube diameter
- Eyepiece focal length
- Double micrometer

### Important:

Please specify collimator reticle and eyepiece reticle (see page 82) as well as illumination (LED-, bulb- or cold light, see page 81) when ordering. Please specify direction of use if reticles with lettering (e.g. coordinate division etc.) are used so that the lettering will be right-side-up.



Ord.-No.	Description	Focal length	Free aperture	Meas. range	SD	L
229 271	AKR 50/40/14,7 MD	50	10	1,6°	10,0"	65
229 272	AKR 90/40/14,7 MD	90	16	1,0°	5,5"	65
229 273	AKR 140/40/14,7 MD	140	28	0,6°	3,5"	118
229 274	AKR 200/40/14,7 MD	200	28	0,4°	2,5"	173
229 275	AKR 300/40/14,7 MD	300	28	0,3°	1,0"	274
229 276	AKR 500/40/14,7 MD	500	28	0,2°	2,0"	474



Ord.-No.	Description	Focal length	Free aperture	Meas. range	SD	L
229 277	AKR 300/65/14,7 MD	300	50	0,3°	2,0"	233
229 278	AKR 500/65/14,7 MD	500	50	0,2°	1,0"	415
229 280	AKR 500T/65/14,7 MD	500	50	0,2°	1,0"	233