

# AUTOCOLLIMATORS

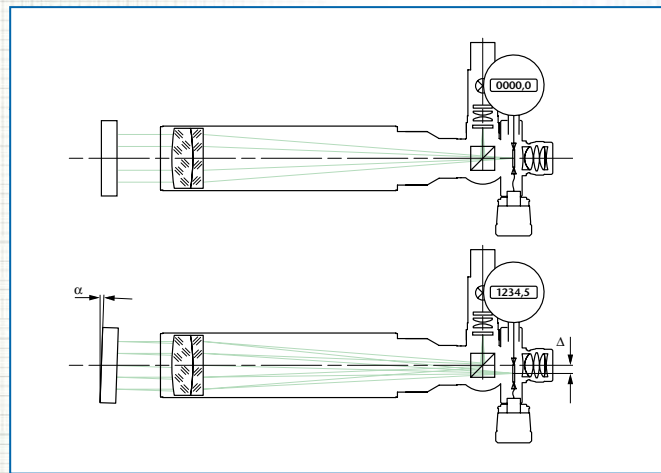
## STRAIGHT VIEWING – WITH DIGITAL DOUBLE MICROMETER

### Description:

For a general description of the principle of functioning see page 42.

An autocollimator with a micrometer driven eyepiece reticle can directly read reticle displacement for higher accuracy compared to a fixed reticle.

In place of the micrometer drums above, optionally, programmable digital gauges allow direct reading of the tilting angle in arcsec or milliradians (see page 42 for converting the displacement into angular tilt of the reflector).



### Notes on ordering:

- Optionally, the autocollimators can be equipped with an eyepiece having 10 mm or 25 mm focal length.
- Two reticles, 6V/5W illumination w/cord, and eyepiece are included.
- If not specified otherwise, the autocollimator is adjusted to infinity at 546 nm wavelength. Adjustment to other distances or wavelengths is also possible on demand.
- Specify the unit of display of the digital gauges (mm, arcsec, milliradians).
- The nomenclature of the autocollimators with straight viewing and digital double micrometer is as follows:

Example: AK G 50/ 40/ 14,7 MDD

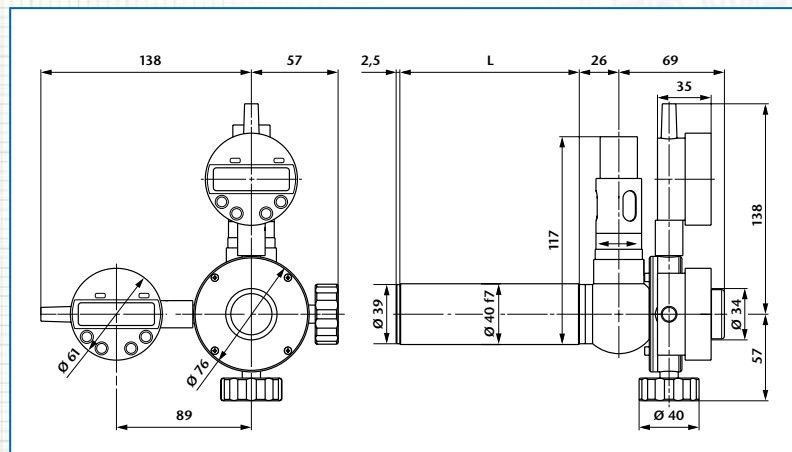
- Autocollimator
- Straight viewing
- Focal length
- Tube diameter
- Eyepiece focal length
- Digital double micrometer

### Important:

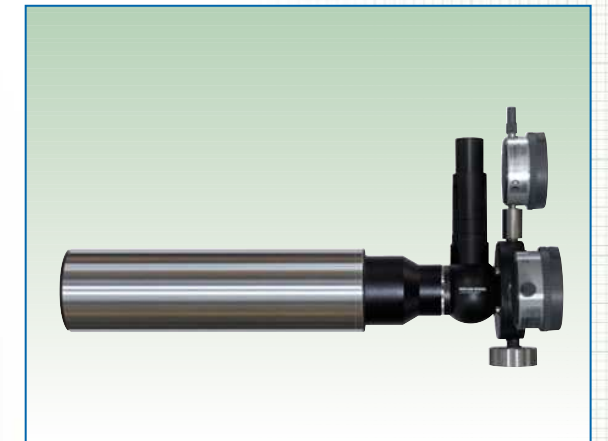
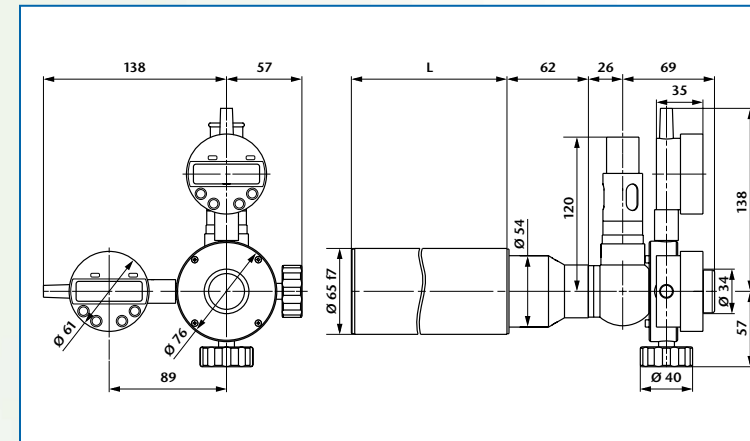
Please specify collimator reticle and eyepiece reticle (see page 82) as well as illumination (LED-, bulb- or cold light, see page 81) when ordering.

### Application areas:

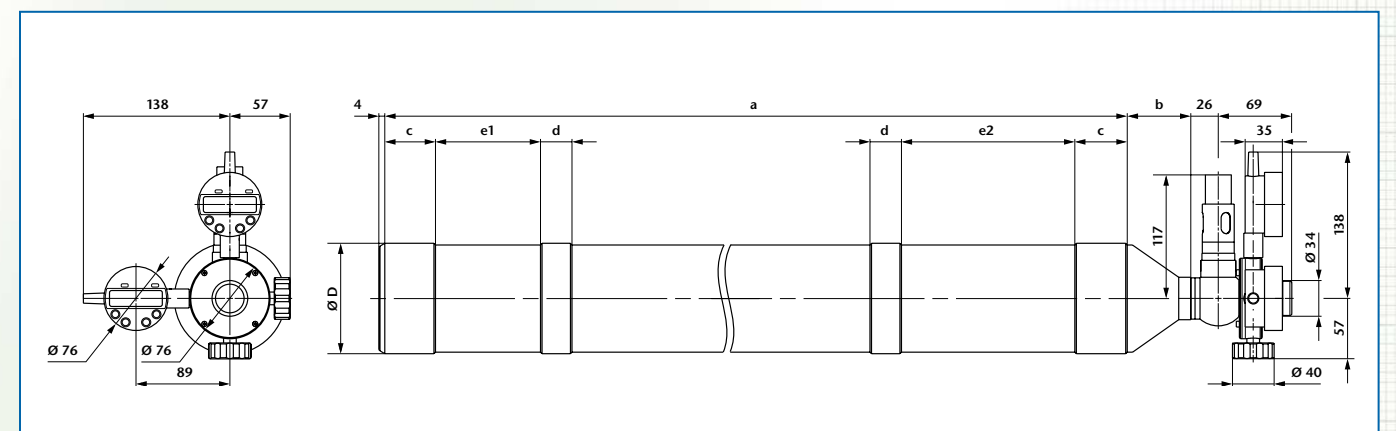
- Measurement of angular tilt
- Measurement of parallelism of plane plates



Ord.-No.	Description	Focal length	Free aperture	Meas. range	Resolution	L
229 081	AKG 50/40/14,7 MDD	50	10	2,80°	2,0"	65
229 082	AKG 90/40/14,7 MDD	90	16	1,50°	1,0"	65
229 083	AKG 140/40/14,7 MDD	140	28	1,00°	1,0"	118
229 084	AKG 200/40/14,7 MDD	200	28	0,70°	0,5"	173
229 085	AKG 300/40/14,7 MDD	300	28	0,50°	0,5"	274
229 086	AKG 500/40/14,7 MDD	500	28	0,25°	0,2"	474



Ord.-No.	Description	Focal length	Free aperture	Meas. range	Resolution	L
229 087	AKG 300/65/14,7 MDD	300	50	0,50°	0,5"	233
229 088	AKG 500/65/14,7 MDD	500	50	0,25°	0,2"	415
229 090	AKG 500T/65/14,7 MDD	500	50	0,25°	0,2"	233



Ord.-No.	Description	Focal length	Free aperture	Meas. range	Resolution	D	a	b	c	d	e1	e2
229 092	AKG 600/128/14,7 MDD	600	100	0,20°	0,2"	Ø 128 f7	530	46	-	58	154	78
229 093	AKG 1100/105/14,7 MDD	1100	78	0,08°	0,1"	Ø 105 f7	1045	66	50	30	165	100